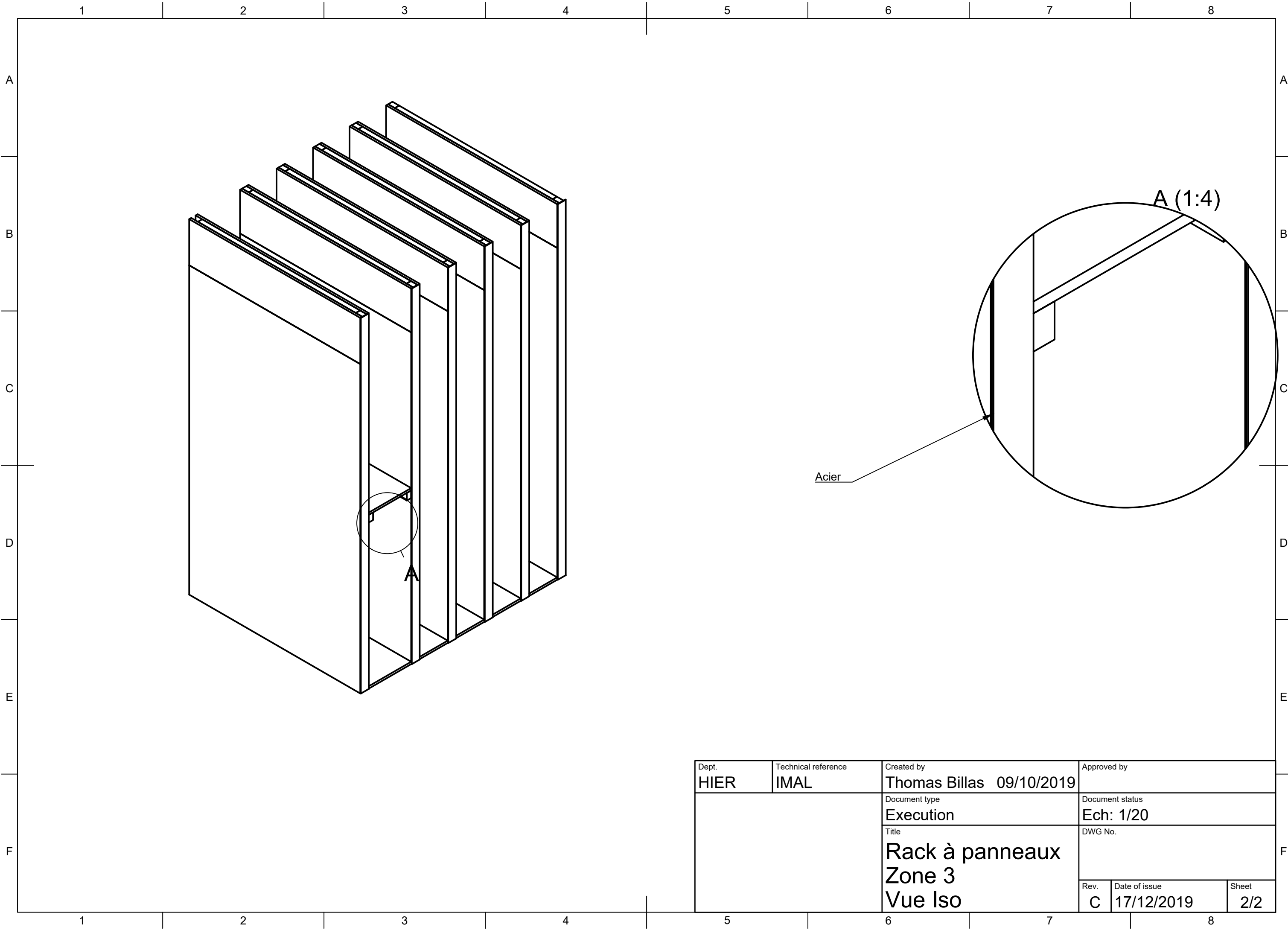


Dept. HIER	Technical reference IMAL	Created by Thomas Billas 09/10/2019	Approved by	
		Document type Execution	Document status Ech: 1/20	
		Title Rack à panneaux Zone 3 Vue globale	DWG No.	
Rev. B	Date of issue 09/10/2019	Sheet 1/2		



Dept. HIER	Technical reference IMAL	Created by Thomas Billas 09/10/2019	Approved by	
		Document type Execution	Document status Ech: 1/20	
		Title Rack à panneaux Zone 3 Vue Iso	DWG No.	
		Rev. C	Date of issue 17/12/2019	Sheet 2/2