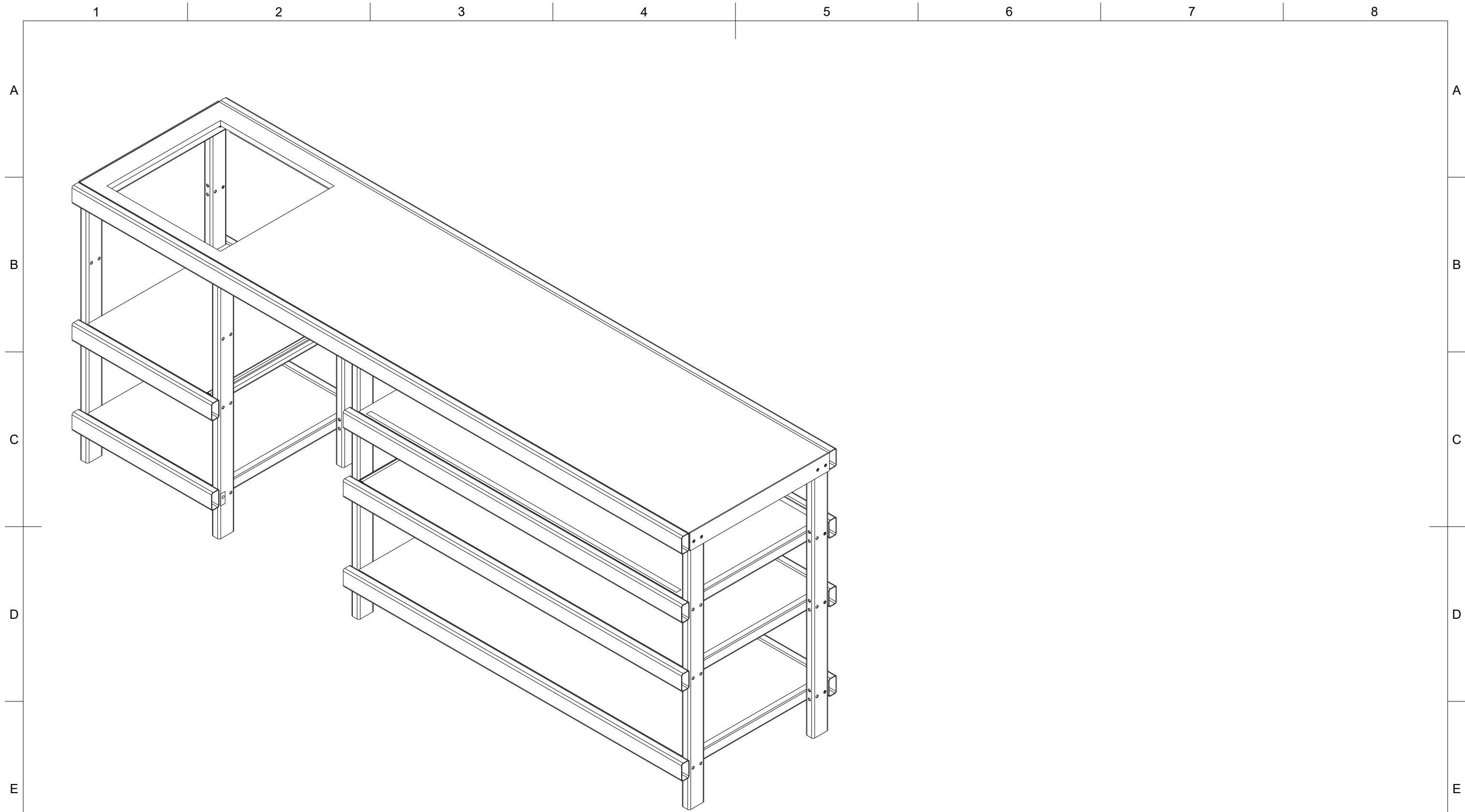
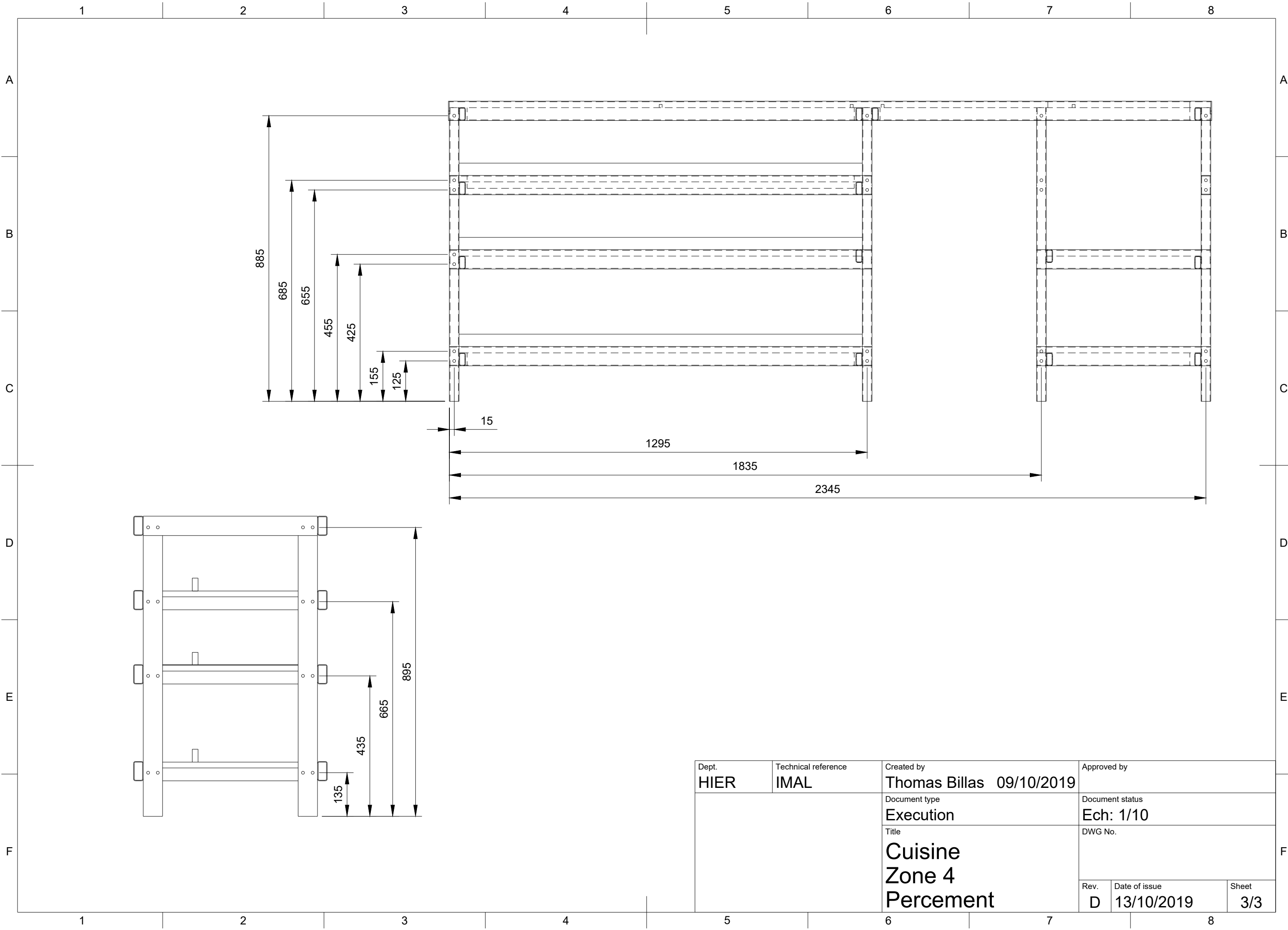


Dept. HIER	Technical reference IMAL	Created by Thomas Billas 09/10/2019	Approved by	
		Document type Execution	Document status Ech: 1/10	
		Title Cuisine Zone 4 Vue globale	DWG No.	
Rev. C	Date of issue 09/10/2019	Sheet 1/3		



Dept. HIER	Technical reference IMAL	Created by Thomas Billas 09/10/2019	Approved by	
		Document type Execution	Document status Ech: 1/10	
		Title Cuisine Zone 4 Vue Iso	DWG No.	
Rev. C	Date of issue 09/10/2019	Sheet 2/3		



Dept. HIER	Technical reference IMAL	Created by Thomas Billas 09/10/2019	Approved by	
		Document type Execution	Document status Ech: 1/10	
		Title Cuisine Zone 4 Percement	DWG No.	
Rev. D	Date of issue 13/10/2019	Sheet 3/3		