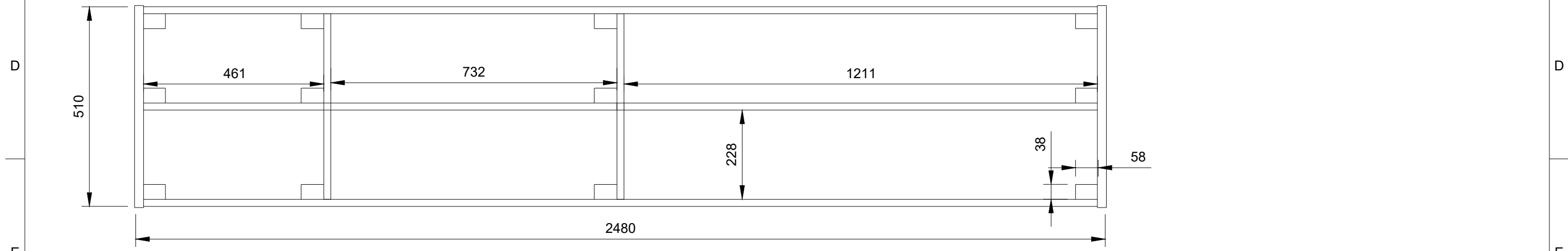
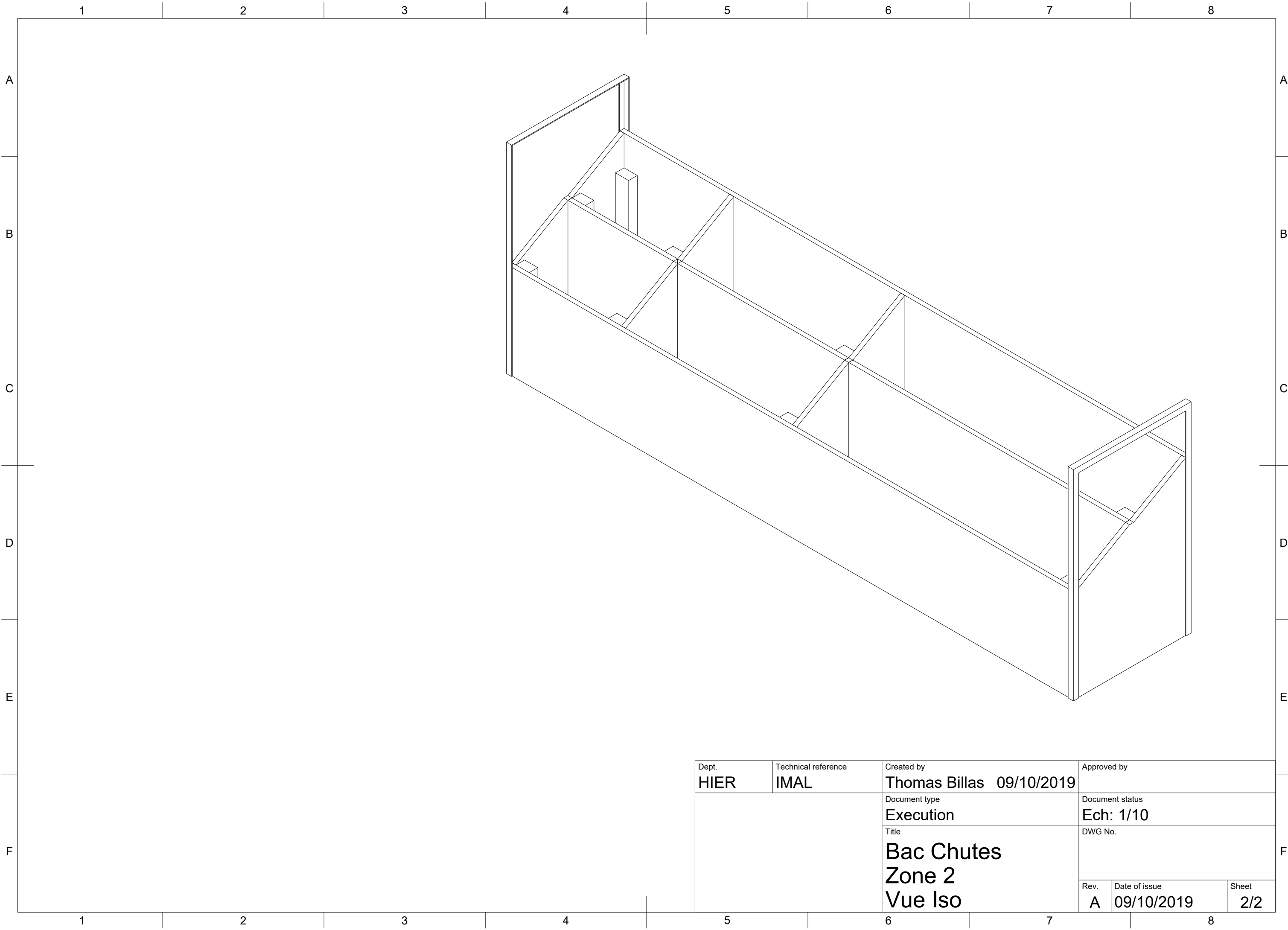


+ Roulettes
 125mm, hauteur totale ~1000



Dept. HIER	Technical reference IMAL	Created by Thomas Billas 09/10/2019	Approved by	
		Document type Execution	Document status Ech: 1/10	
		Title Bac Chutes Zone 2 Vue globale	DWG No.	
Rev. A	Date of issue 09/10/2019	Sheet 1/2		



Dept. HIER	Technical reference IMAL	Created by Thomas Billas 09/10/2019	Approved by	
		Document type Execution	Document status Ech: 1/10	
		Title Bac Chutes Zone 2 Vue Iso	DWG No.	
Rev. A	Date of issue 09/10/2019	Sheet 2/2		