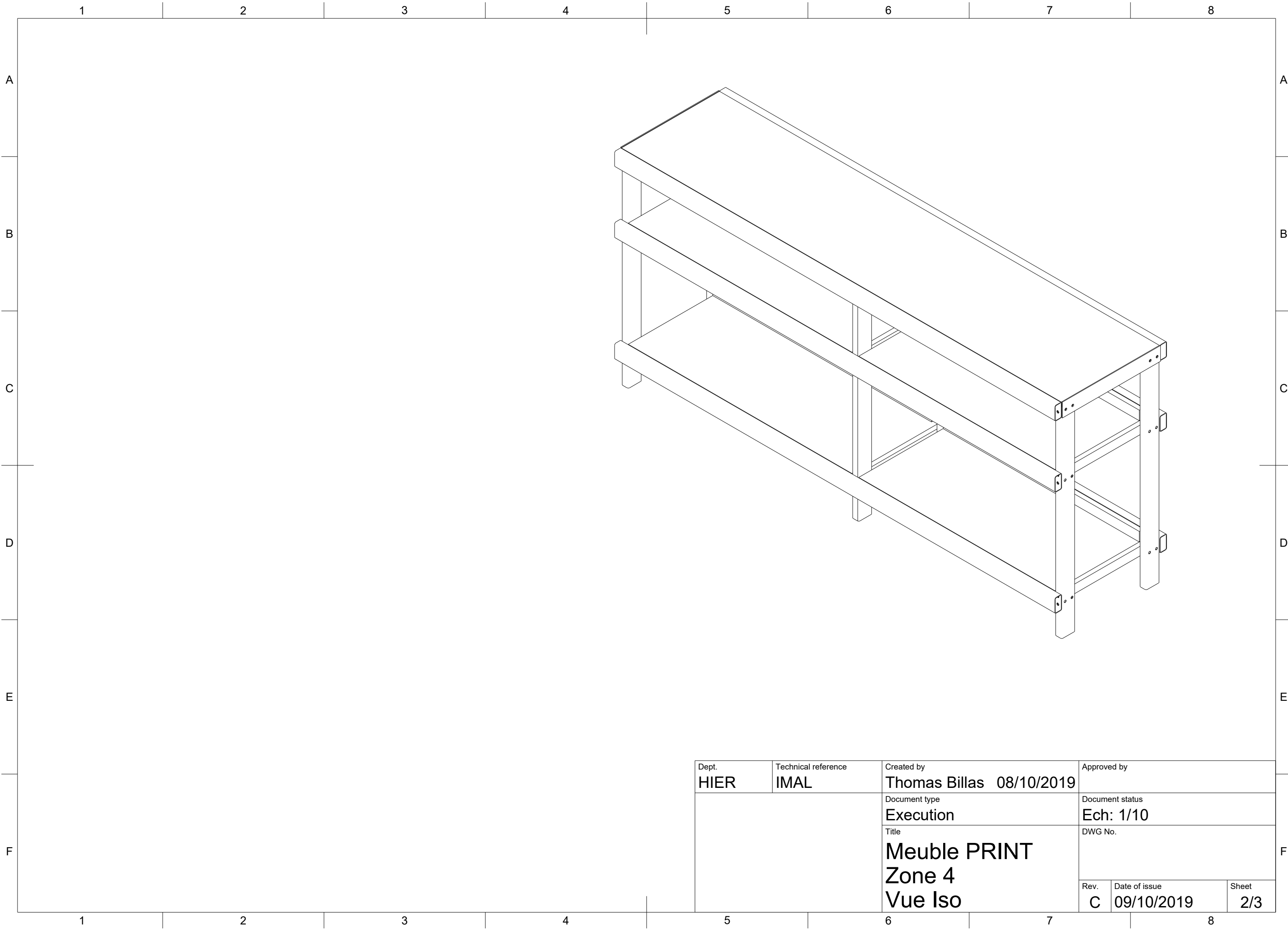
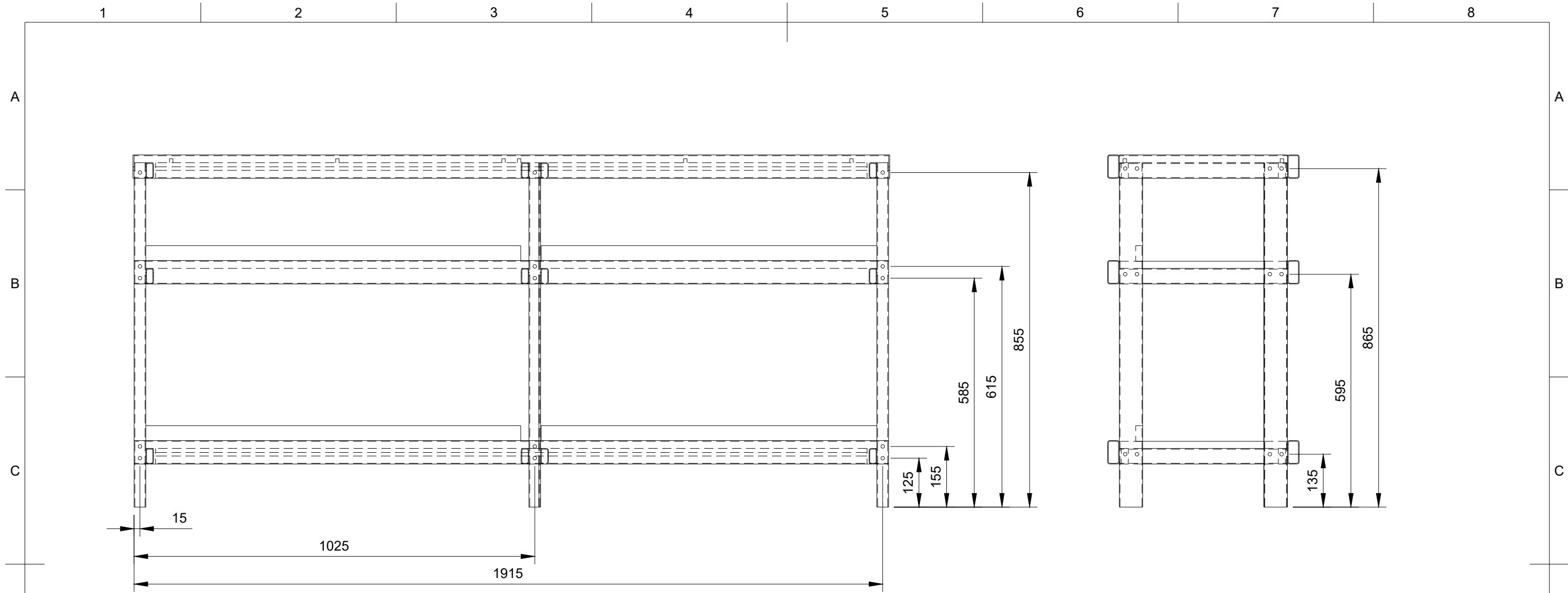


| | | | | |
|----------------------|------------------------------------|---|-------------------------------------|--|
| Dept. HIER | Technical reference IMAL | Created by Thomas Billas 08/10/2019 | Approved by | |
| | | Document type Execution | Document status Ech: 1/10 | |
| | | Title Meuble PRINT Zone 4 Vue globale | DWG No. | |
| Rev. C | Date of issue 09/10/2019 | Sheet 1/3 | | |



| | | | | |
|----------------------|------------------------------------|---|-------------------------------------|---------------------|
| Dept. HIER | Technical reference IMAL | Created by Thomas Billas 08/10/2019 | Approved by | |
| | | Document type Execution | Document status Ech: 1/10 | |
| | | Title Meuble PRINT Zone 4 Vue Iso | DWG No. | |
| | | Rev. C | Date of issue 09/10/2019 | Sheet 2/3 |



| | | | | |
|----------------------|------------------------------------|--|-------------------------------------|--|
| Dept. HIER | Technical reference IMAL | Created by Thomas Billas 08/10/2019 | Approved by | |
| | | Document type Execution | Document status Ech: 1/10 | |
| | | Title Meuble PRINT Zone 4 Percements | DWG No. | |
| Rev. C | Date of issue 13/10/2019 | | Sheet 3/3 | |