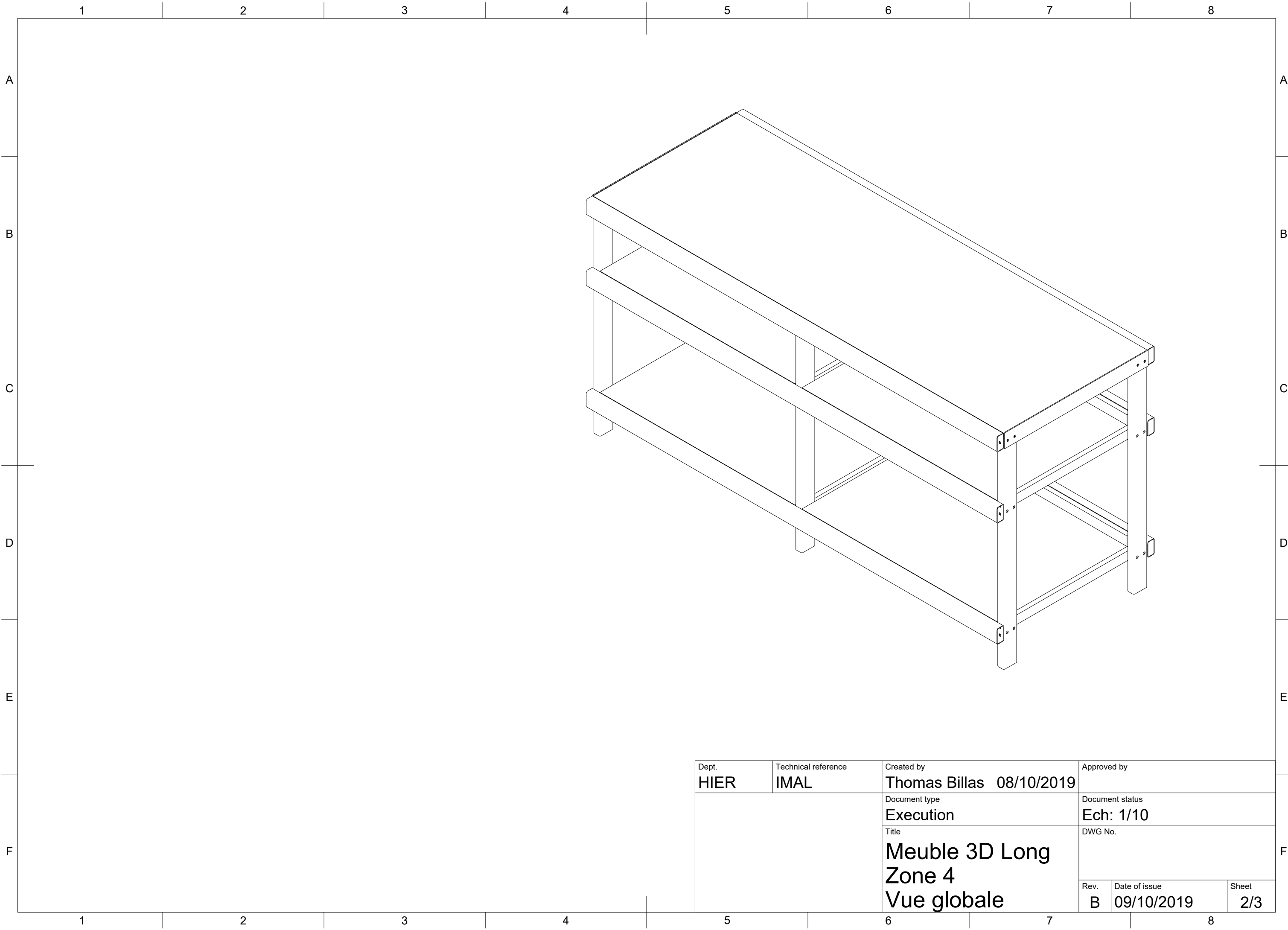
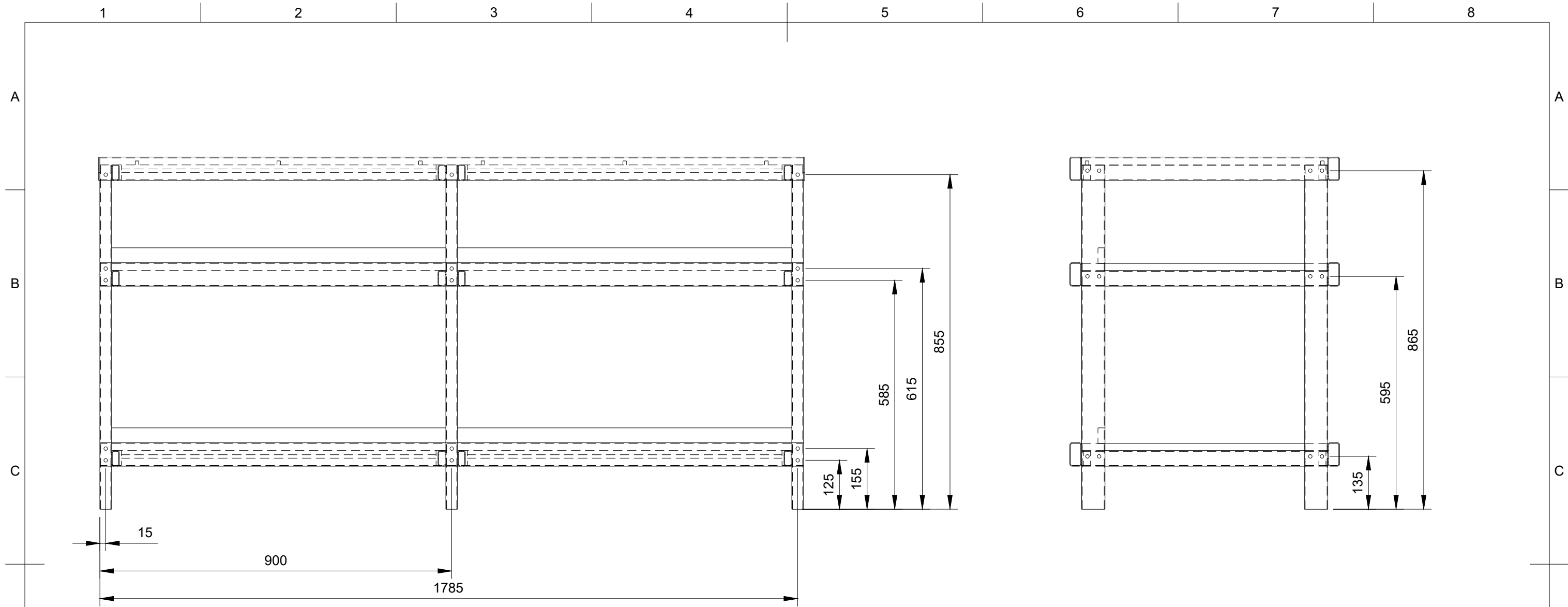


Dept. HIER	Technical reference IMAL	Created by Thomas Billas 08/10/2019	Approved by	
		Document type Execution	Document status Ech: 1/10	
		Title Meuble 3D Long Zone 4 Vue globale	DWG No.	
Rev. B	Date of issue 08/10/2019	Sheet 1/3		



Dept. HIER	Technical reference IMAL	Created by Thomas Billas 08/10/2019	Approved by	
		Document type Execution	Document status Ech: 1/10	
		Title Meuble 3D Long Zone 4 Vue globale	DWG No.	
Rev. B	Date of issue 09/10/2019		Sheet 2/3	



Dept. HIER	Technical reference IMAL	Created by Thomas Billas 08/10/2019	Approved by	
		Document type Execution	Document status Ech: 1/10	
		Title Meuble 3D Long Zone 4 Percements	DWG No.	
Rev. B	Date of issue 13/10/2019		Sheet 3/3	