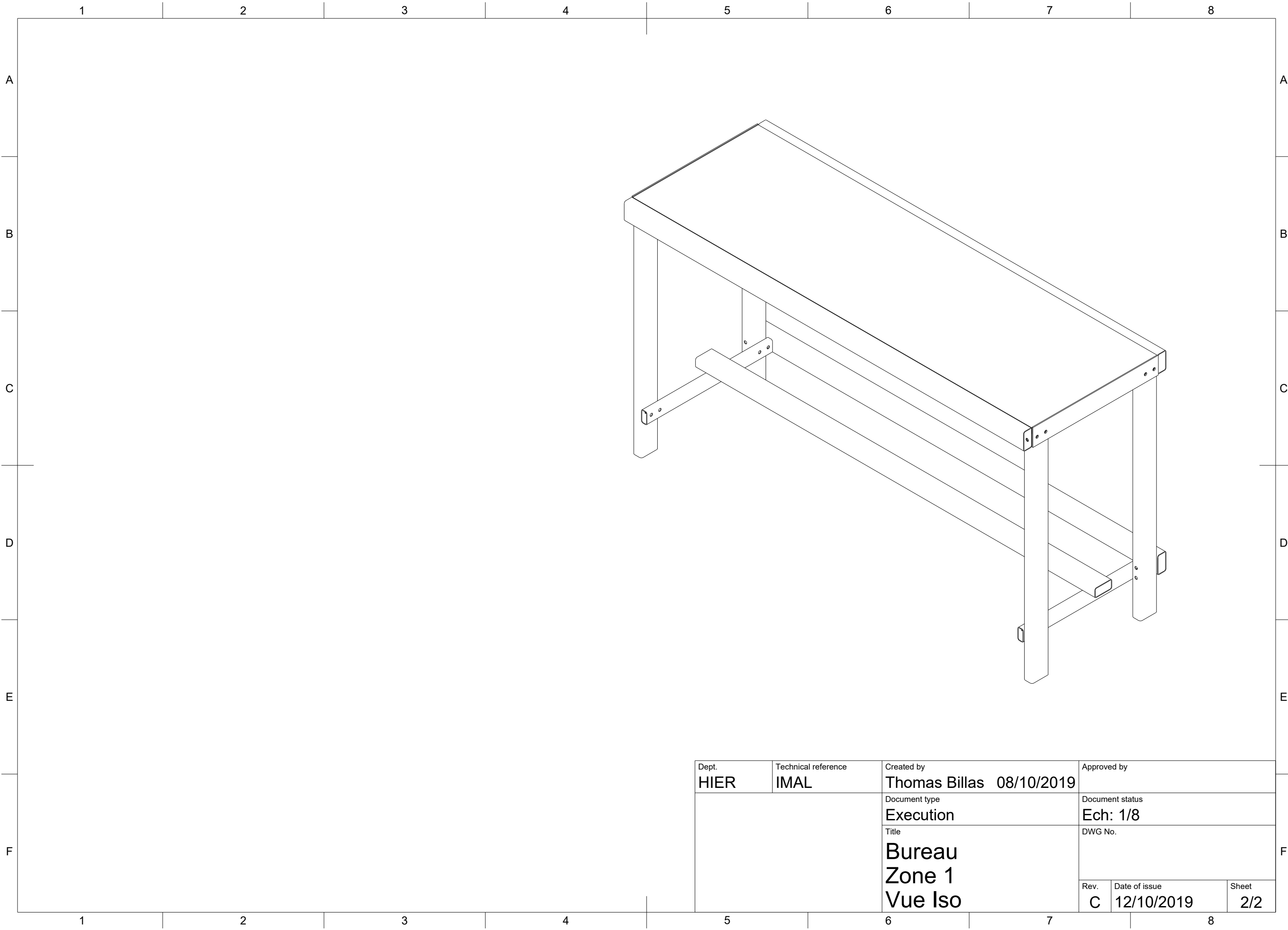


Attention:

- Différence pieds avant et arrière
- Différence traverses

Dept. HIER	Technical reference IMAL	Created by Thomas Billas 08/10/2019	Approved by	
		Document type Execution	Document status Ech: 1/10	
		Title Bureau Zone 1 Vue globale	DWG No.	
			Rev. D	Date of issue 12/10/2019
				Sheet 1/2



Dept. HIER	Technical reference IMAL	Created by Thomas Billas 08/10/2019	Approved by	
		Document type Execution	Document status Ech: 1/8	
		Title Bureau Zone 1 Vue Iso	DWG No.	
		Rev. C	Date of issue 12/10/2019	Sheet 2/2